

**OSD5S161ES**

<b>EN</b>	<b>User Manual   Fridge Freezer</b>	<b>2</b>
<b>IT</b>	<b>Istruzioni per l'uso   Frigo-Congelatore</b>	<b>19</b>



# Welcome to AEG! Thank you for choosing our appliance.



Get usage advice, brochures, trouble shooter, service and repair information:  
[www.aeg.com/support](http://www.aeg.com/support)

Subject to change without notice.

## CONTENTS

1. SAFETY INFORMATION.....	2
2. SAFETY INSTRUCTIONS.....	4
3. INSTALLATION.....	6
4. CONTROL PANEL.....	9
5. DAILY USE.....	10
6. HINTS AND TIPS.....	11
7. CARE AND CLEANING.....	13
8. TROUBLESHOOTING.....	14
9. NOISES.....	17
10. TECHNICAL DATA.....	17
11. INFORMATION FOR TEST INSTITUTES.....	18
12. ENVIRONMENTAL CONCERNS.....	18

## 1. SAFETY INFORMATION

Before the installation and use of the appliance, carefully read the supplied instructions. The manufacturer is not responsible for any injuries or damage that are the result of incorrect installation or usage. Always keep the instructions in a safe and accessible location for future reference.

### 1.1 Children and vulnerable people safety

- This appliance can be used by children aged from 8 years and above and persons with reduced physical, sensory or mental capabilities or lack of experience and knowledge if they have been given supervision or instruction concerning the use of the appliance in a safe way and understand the hazards involved. Children aged from 3 to 8 years and persons with very extensive and complex disabilities are allowed to load and unload the appliance provided that they have been properly instructed. Children of less than 3 years

of age should be kept away from the appliance unless continuously supervised.

- Children should be supervised to ensure that they do not play with the appliance.
- Children shall not carry out cleaning and user maintenance of the appliance without supervision.
- Keep all packaging away from children and dispose of it appropriately.

## **1.2 General Safety**

- This appliance is for storing food and beverages only.
- This appliance is designed for single household domestic use in an indoor environment.
- This appliance may be used in, offices, hotel guest rooms, bed & breakfast guest rooms, farm guest houses and other similar accommodation where such use does not exceed (average) domestic usage levels.
- To avoid contamination of food respect the following instructions:
  - do not open the door for long periods;
  - clean regularly surfaces that can come in contact with food and accessible drainage systems;
  - store raw meat and fish in suitable containers in the refrigerator, so that it is not in contact with or drip onto other food.
- **WARNING:** Keep ventilation openings, in the appliance enclosure or in the built-in structure, clear of obstruction.
- **WARNING:** Do not use mechanical devices or other means to accelerate the defrosting process, other than those recommended by the manufacturer.
- **WARNING:** Do not damage the refrigerant circuit.
- **WARNING:** Do not use electrical appliances inside the food storage compartments of the appliance, unless they are of the type recommended by the manufacturer.
- Do not use water spray and steam to clean the appliance.

- Clean the appliance with a moist soft cloth. Only use neutral detergents. Do not use abrasive products, abrasive cleaning pads, solvents or metal objects.
- When the appliance is empty for long period, switch it off, defrost, clean, dry and leave the door open to prevent mould from developing within the appliance.
- Do not store explosive substances such as aerosol cans with a flammable propellant in this appliance.
- If the supply cord is damaged, it must be replaced by the manufacturer, its Authorised Service Centre or similarly qualified persons in order to avoid a hazard.

## 2. SAFETY INSTRUCTIONS

### 2.1 Installation

#### **WARNING!**

Only a qualified person must install this appliance.

- Remove all the packaging.
- Do not install or use a damaged appliance.
- Do not use the appliance before installing it in the built-in structure due to safety manner.
- Follow the installation instructions supplied with the appliance.
- Always take care when moving the appliance as it is heavy. Always use safety gloves and enclosed footwear.
- Make sure the air can circulate around the appliance.
- At first installation or after reversing the door wait at least 4 hours before connecting the appliance to the power supply. This is to allow the oil to flow back in the compressor.
- Before carrying out any operations on the appliance (e.g. reversing the door), remove the plug from the power socket.
- Do not install the appliance close to radiators or cookers, ovens, or hobs, unless otherwise specified in the installation instructions.
- Do not expose the appliance to the rain.

- Do not install the appliance where there is direct sunlight.
- Do not install this appliance in areas that are too humid or too cold.
- When you move the appliance, lift it by the front edge to avoid scratching the floor.
- The appliance contains a bag of desiccant. This is not a toy. This is not food. Please dispose of it immediately.

### 2.2 Electrical connection

#### **WARNING!**

Risk of fire and electric shock.

#### **WARNING!**

When positioning the appliance, ensure the supply cord is not trapped or damaged.

#### **WARNING!**

Do not use multi-plug adapters and extension cables.

- The appliance must be earthed.
- Make sure that the parameters on the rating plate are compatible with the electrical ratings of the mains power supply.
- Always use a correctly installed shockproof socket.

- Make sure not to cause damage to the electrical components (e.g. mains plug, mains cable, compressor). Contact the Authorised Service Centre or an electrician to change the electrical components.
- The mains cable must stay below the level of the mains plug.
- Connect the mains plug to the mains socket only at the end of the installation. Make sure that there is access to the mains plug after the installation.
- Do not pull the mains cable to disconnect the appliance. Always pull the mains plug.

## 2.3 Use

### **WARNING!**

Risk of injury, burns, electric shock or fire.



The appliance contains flammable gas, isobutane (R600a), a natural gas with a high level of environmental compatibility. Be careful not to cause damage to the refrigerant circuit containing isobutane.

- Do not change the specification of this appliance.
- Any use of the built-in product as free-standing is strictly prohibited.
- Do not put electrical appliances (e.g. ice cream makers) in the appliance unless they are stated applicable by the manufacturer.
- If damage occurs to the refrigerant circuit, make sure that there are no flames and sources of ignition in the room. Ventilate the room.
- Do not let hot items to touch the plastic parts of the appliance.
- Do not put soft drinks in the freezer compartment. This will create pressure on the drink container.
- Do not store flammable gas and liquid in the appliance.
- Do not put flammable products or items that are wet with flammable products in, near or on the appliance.
- Do not touch the compressor or the condenser. They are hot.

- Do not remove or touch items from the freezer compartment if your hands are wet or damp.
- Do not freeze again food that has been thawed.
- Follow the storage instructions on the packaging of frozen food.
- Wrap the food in any food contact material before putting it in the freezer compartment.
- Do not allow food to come in contact with the inner walls of the appliance compartments.

## 2.4 Internal lighting

### **WARNING!**

Risk of electric shock.

- This product contains one or more light sources of energy efficiency class G.
- Concerning the lamp(s) inside this product and spare part lamps sold separately: These lamps are intended to withstand extreme physical conditions in household appliances, such as temperature, vibration, humidity, or are intended to signal information about the operational status of the appliance. They are not intended to be used in other applications and are not suitable for household room illumination.

## 2.5 Care and cleaning

### **WARNING!**

Risk of injury or damage to the appliance.

- Before maintenance, deactivate the appliance and disconnect the mains plug from the mains socket.
- This appliance contains hydrocarbons in the cooling unit. Only a qualified person must do the maintenance and the recharging of the unit.
- Regularly examine the drain of the appliance and if necessary, clean it. If the drain is blocked, defrosted water collects in the bottom of the appliance.

## 2.6 Service

- To repair the appliance contact the Authorised Service Centre. Use original spare parts only.
- Please note that self-repair or non-professional repair can have safety consequences and might void the guarantee.
- The following spare parts are available for at least 7 years after the model has been discontinued: thermostats, temperature sensors, printed circuit boards, light sources, door handles, door hinges, trays and baskets. Door gaskets are available for at least 10 years after the model has been discontinued. The duration may be longer in your country. For further information, please visit our website.
- Please note that some of these spare parts are only available to professional repairers, and that not all spare parts are relevant for all models.

## 2.7 Disposal

### **WARNING!**

Risk of injury or suffocation.

- Disconnect the appliance from the mains supply.
- Cut off the mains cable and discard it.
- Remove the door to prevent children and pets to be closed inside of the appliance.
- The refrigerant circuit and the insulation materials of this appliance are ozone-friendly.
- The insulation foam contains flammable gas. Contact your municipal authority for information on how to discard the appliance correctly.
- Do not cause damage to the part of the cooling unit that is near the heat exchanger.

## 3. INSTALLATION

### **WARNING!**

Refer to Safety chapters.

### **WARNING!**

Refer to installation instruction document to install your appliance.

### **WARNING!**

Fix the appliance in accordance with installation instruction document to avoid a risk of instability of the appliance.

### 3.1 Dimensions



Overall dimensions <sup>1</sup>		
H1	mm	1575
W1*	mm	548
D1	mm	549

<sup>1</sup> the height, width and depth of the appliance without the handle

\* including the width of the bottom hinges (8 mm)

Space required in use <sup>2</sup>		
H2 (A+B)	mm	1616
W2*	mm	548
D2	mm	551

Space required in use <sup>2</sup>		
A	mm	1580
B	mm	36

<sup>2</sup> the height, width and depth of the appliance including the handle, plus the space necessary for free circulation of the cooling air

\* including the width of the bottom hinges (8 mm)

Overall space required in use <sup>3</sup>		
H3 (A+B)	mm	1616
W3*	mm	548

### Overall space required in use <sup>3</sup>

D3	mm	1071
----	----	------

<sup>3</sup> the height, width and depth of the appliance including the handle, plus the space necessary for free circulation of the cooling air, plus the space necessary to allow door opening to the minimum angle permitting removal of all internal equipment

\* including the width of the bottom hinges (8 mm)

## 3.2 Location

To ensure appliance's best functionality, you should not install the appliance in a place with direct sunlight. Do not install the appliance close to radiators or cookers, ovens, or hobs, unless otherwise specified in the installation instructions.

Make sure that air can circulate freely around the back of the cabinet.

This appliance should be installed in a dry, well ventilated indoor position.

This appliance is intended to be used at ambient temperature ranging from 10°C to 43°C.



The correct operation of the appliance can only be guaranteed within the specified temperature range.



If you have any doubts regarding where to install the appliance, please turn to the vendor, to our customer service or to the nearest Authorised Service Centre.



It must be possible to disconnect the appliance from the mains power supply. The plug must therefore be easily accessible after installation.

## 3.3 Electrical connection

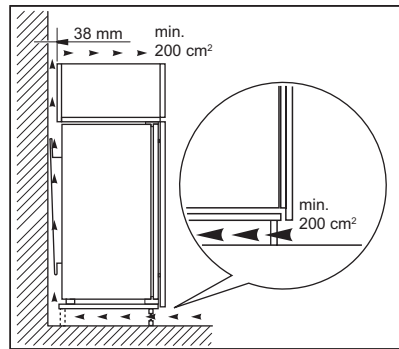
- Before plugging in, ensure that the voltage and frequency shown on the rating plate

correspond to your domestic power supply.

- The appliance must be earthed. The power supply cable plug is provided with a contact for this purpose. If the domestic power supply socket is not earthed, connect the appliance to a separate earth in compliance with current regulations, consulting a qualified electrician.
- The manufacturer declines all responsibility if the above safety precautions are not observed.

## 3.4 Ventilation requirements

The airflow behind the appliance must be sufficient.



### ⚠ CAUTION!

Refer to the installation instructions for the installation.

## 3.5 Door reversibility

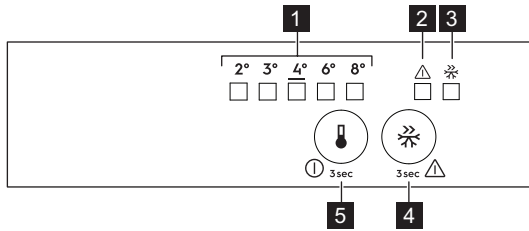
Please refer to the separate document with instructions on installation and door reversal.

### ⚠ CAUTION!

At every stage of reversing the door protect the floor from scratching with a durable material.



## 4. CONTROL PANEL



- 1 Temperature indicator LED
- 2 Alarm light
- 3 Frostmatic indicator
- 4 Frostmatic button
- 5 Temperature regulator ON/OFF button

### 4.1 Switching on

1. Insert the plug into the wall socket.
2. Touch the temperature regulator button if all LED indicators are off.

### 4.2 Switching off

Keep touching the temperature regulator button for 3 seconds. All indicators light off.

### 4.3 Temperature regulation

To operate the appliance, touch the temperature regulator until the LED corresponding to the required temperature lights up. Selection is progressive, varying from 2°C to 8°C. Recommended setting is 4°C.

1. Touch temperature regulator. Current temperature indicator blinks. Any time you touch the temperature regulator, the setting moves by one position. The corresponding LED blinks for a while.
2. Touch the temperature regulator until the required temperature is selected.



The set temperature will be reached within 24 hours. After a power failure the set temperature remains stored.

### 4.4 Frostmatic function

The Frostmatic function is used to perform pre-freezing and fast freezing in sequence in the freezer compartment. This function accelerates the freezing of fresh food and, at the same time, protects food products already stored in the freezer compartment from undesirable warming.



To freeze fresh food activate the Frostmatic function at least 24 hours before placing the food to complete pre-freezing.

To activate Frostmatic function press the Frostmatic button. The Frostmatic indicator switches on.



This function stops automatically after 52 hours.

It is possible to deactivate the function at any time by pressing Frostmatic button again. The Frostmatic indicator switches off.

### 4.5 Door open alarm

If the fridge door is left open for approximately 5 minutes, the sound is on.

During the alarm the sound can be muted by pressing any button. The sound switches off automatically after around one hour to avoid disturbing.

The alarm deactivates after closing the door.

## 4.6 High temperature alarm

When there is a temperature increase in the freezer compartment (for example due to an earlier power failure), the alarm light flashes and the sound is on.

To deactivate the sound press any button.

The alarm light continues to flash until the normal conditions are restored.

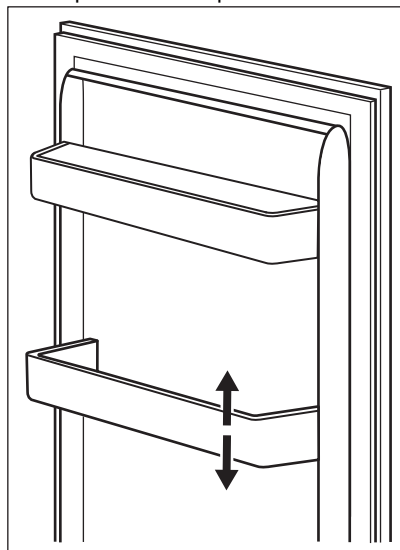
If you do not press any button, the sound switches off automatically after around one hour to avoid disturbing.

## 5. DAILY USE

### 5.1 Positioning the door shelves

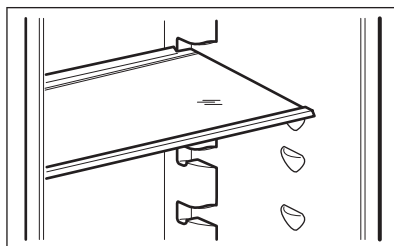
To permit storage of food packages of various sizes, the door shelves can be placed at different heights.

1. Gradually pull the shelf up until it comes free.
2. Reposition as required.



### 5.2 Movable shelves

The walls of the refrigerator are equipped with a series of runners so that the shelves can be positioned as desired.



Do not move the glass shelf above the vegetable drawer to ensure correct air circulation.

### 5.3 Vegetable drawer

There is a special drawer in the bottom part of the appliance suitable for storage of fruits and vegetables.

### 5.4 Freezing fresh food

The freezer compartment is suitable for freezing fresh food and storing frozen and deep-frozen food for a long time.

To freeze fresh food activate the Frostmatic function at least 24 hours before placing the food to be frozen in the freezer compartment.

Store the fresh food evenly distributed in the bottom part of the freezer compartment.

The maximum amount of food that can be frozen without adding other fresh food during 24 hours is specified on the rating plate (a label located inside the appliance).

When the freezing process is complete, the appliance automatically returns to the previous temperature setting (see "Frostmatic function").



In this condition, the temperature inside the refrigerator might change slightly.

For more information refer to "Hints for freezing".

## 5.5 Storage of frozen food

When activating an appliance for the first time or after a period out of use, before putting the products in the compartment let the appliance run at least 3 hours with the Frostmatic function switched on.

Keep the food no closer than 15 mm from the door.

## CAUTION!

In the event of accidental defrosting, for example due to a power failure, if the power has been off for longer than the value shown on rating plate under "rising time", the defrosted food must be consumed quickly or cooked immediately then cooled and then re-frozen. Refer to "High temperature alarm".

## 5.6 Thawing

Deep-frozen or frozen food, prior to being consumed, can be thawed in the refrigerator or inside a plastic bag under cold water.

This operation depends on the time available and on the type of food. Small pieces may even be cooked still frozen.

# 6. HINTS AND TIPS

## 6.1 Hints for energy saving

- Freezer: The internal configuration of the appliance is the one that ensures the most efficient use of energy.
- Fridge: Most efficient use of energy is ensured in the configuration with the drawers in the bottom part of the appliance and shelves evenly distributed. Position of the door bins does not affect energy consumption.
- Do not open the door frequently or leave it open longer than necessary.
- Freezer: The colder the temperature setting, the higher the energy consumption.
- Fridge: Do not set too high temperature to save energy unless it is required by the characteristics of the food.
- If the ambient temperature is high and the temperature control is set to low temperature and the appliance is fully loaded, the compressor may run continuously, causing frost or ice formation on the evaporator. In this case, set the temperature control toward higher temperature to allow automatic defrosting and to save energy this way.
- Ensure a good ventilation. Do not cover the ventilation grilles or holes.

## 6.2 Hints for freezing

- Activate Frostmatic function at least 24 hours before placing the food inside the freezer compartment.
- Before freezing wrap and seal fresh food in: aluminium foil, plastic film or bags, airtight containers with lid.
- For more efficient freezing and thawing divide food into small portions.
- It is recommended to put labels and dates on all your frozen food. This will help to identify foods and to know when they should be used before their deterioration.
- The food should be fresh when being frozen to preserve good quality. Especially fruits and vegetables should be frozen after the harvest to preserve all of their nutrients.
- Do not freeze bottles or cans with liquids, in particular drinks containing carbon dioxide - they may explode during freezing.
- Do not put hot food in the freezer compartment. Cool it down at room temperature before placing it inside the compartment.
- To avoid increase in temperature of already frozen food, do not place fresh unfrozen food directly next to it. Place food at room temperature in the part of the

freezer compartment where there is no frozen food.

- Do not eat ice cubes, water ices or ice lollies immediately after taking them out of the freezer. Risk of frostbites.
- Do not re-freeze defrosted food. If the food has defrosted, cook it, cool it down and then freeze it.

### 6.3 Hints for storage of frozen food

- Freezer compartment is the one marked with **❄️ ❄️❄️**.
- The medium temperature setting ensures good preservation of frozen food products. Higher temperature setting inside the appliance may lead to shorter shelf life.
- The whole freezer compartment is suitable for storage of frozen food products.
- Leave enough space around the food to allow air to circulate freely.
- For adequate storage refer to food packaging label to see the shelf life of food.

- It is important to wrap the food in such a way that prevents water, humidity or condensation from getting inside.

### 6.4 Shopping tips

After grocery shopping:

- Ensure that the packaging is not damaged - the food could be deteriorated. If the package is swollen or wet, it might have not been stored in the optimal conditions and defrosting may have already started.
- To limit the defrosting process buy frozen goods at the end of your grocery shopping and transport them in a thermal and insulated cool bag.
- Place the frozen foods immediately in the freezer after coming back from the shop.
- If food has defrosted even partially, do not re-freeze it. Consume it as soon as possible.
- Respect the expiry date and the storage information on the package.


### 6.5 Shelf life for freezer compartment

Type of food	Shelf life (months)
Bread	3
Fruits (except citrus)	6 - 12
Vegetables	8 - 10
Leftovers without meat	1 - 2
<b>Dairy food:</b>	
Butter	6 - 9
Soft cheese (e.g. mozzarella)	3 - 4
Hard cheese (e.g. parmesan, cheddar)	6
<b>Seafood:</b>	
Fatty fish (e.g. salmon, mackerel)	2 - 3
Lean fish (e.g. cod, flounder)	4 - 6
Shrimps	12
Shucked clams and mussels	3 - 4
Cooked fish	1 - 2
<b>Meat:</b>	
Poultry	9 - 12
Beef	6 - 12
Pork	4 - 6
Lamb	6 - 9
Sausage	1 - 2
Ham	1 - 2
Leftovers with meat	2 - 3

## 6.6 Hints for fresh food refrigeration

- Good temperature setting that ensures preservation of fresh food is a temperature less than or equal to +4°C. Higher temperature setting inside the appliance may lead to shorter shelf life of food.
- Cover the food with packaging to preserve its freshness and aroma.
- Always use closed containers for liquids and for food, to avoid flavours or odours in the compartment.
- To avoid the cross-contamination between cooked and raw food, cover the cooked food and separate it from the raw one.
- It is recommended to defrost the food inside the fridge.
- Do not insert hot food inside the appliance. Make sure it has cooled down at room temperature before inserting it.
- To prevent food waste the new stock of food should always be placed behind the old one.

## 6.7 Hints for food refrigeration

- Fresh food compartment is the one marked (on the rating plate) with .

- Meat (all types): wrap in a suitable packaging and place it on the glass shelf above the vegetable drawer. Store meat for at most 1-2 days.
- Fruit and vegetables: clean thoroughly (eliminate the soil) and place in a special drawer (vegetable drawer).
- It is advisable not to keep the exotic fruits like bananas, mangos, papayas etc. in the refrigerator.
- Vegetables like tomatoes, potatoes, onions, and garlic should not be kept in the refrigerator.
- Butter and cheese: place in an airtight container or wrap in an aluminium foil or a polythene bag to exclude as much air as possible.
- Bottles: close them with a cap and place them on the door bottle shelf, or (if available) on the bottle rack.
- Always refer to the expiry date of the products to know how long to keep them.

# 7. CARE AND CLEANING

### **WARNING!**

Refer to Safety chapters.

## 7.1 Cleaning the interior

Before using the appliance for the first time, the interior and all internal accessories should be washed with lukewarm water and some neutral soap to remove the typical smell of a brand-new product, then dried thoroughly.

### **CAUTION!**

Do not use detergents, abrasive powders, chlorine or oil-based cleaners as they will damage the finish.

### **CAUTION!**

The accessories and parts of the appliance are not suitable for washing in a dishwasher.

## 7.2 Periodic cleaning

The equipment has to be cleaned regularly:

1. Clean the inside and accessories with lukewarm water and some neutral soap.
2. Regularly check the door seals and wipe them clean to ensure they are clean and free from debris.
3. Rinse and dry thoroughly.

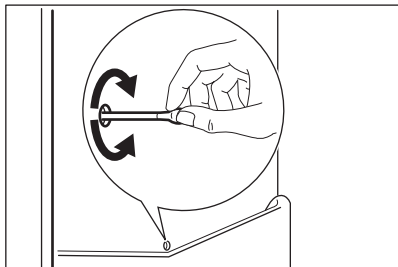
## 7.3 Defrosting of the refrigerator

Frost is automatically eliminated from the evaporator of the refrigerator compartment during normal use. The defrost water drains

out through a trough into a special container at the back of the appliance, over the motor compressor, where it evaporates.

It is important to periodically clean the defrost water drain hole in the middle of the refrigerator compartment channel to prevent the water overflowing and dripping onto the food inside.

For this purpose use the tube cleaner provided with the appliance.



## 7.4 Defrosting of the freezer

### ⚠ CAUTION!

Never use sharp metal tools to scrape off frost from the evaporator as you could damage it.

Do not use a mechanical device or any artificial means to speed up the thawing process other than those recommended by the manufacturer.



About 12 hours prior to defrosting set a lower temperature in order to build up sufficient chill reserve in case of any interruption in operation.

A certain amount of frost will always form on the freezer shelves and around the top compartment.

Defrost the freezer when the frost layer reaches a thickness of about 3-5 mm.

1. Switch off the appliance or pull out electrical plug from the wall socket.
2. Remove any stored food and put it in a cool place.

### ⚠ CAUTION!

A temperature rise of the frozen food packs during defrosting may shorten their safe storage life.

Do not touch frozen goods with wet hands. Hands can freeze to the goods.

3. Leave the door open. Protect the floor from the defrosting water e.g. with a cloth or a flat vessel.
4. In order to speed up the defrosting process, place a pot of warm water in the freezer compartment. In addition, remove pieces of ice that break away before defrosting is complete.
5. When defrosting is complete, dry the interior thoroughly.
6. Switch on the appliance and close the door.
7. Set the temperature regulator to obtain the maximum coldness and run the appliance for at least 3 hours using this setting.

Only after this time put the food back into the freezer compartment.

## 7.5 Period of non-operation

When the appliance is not in use for long period, take the following precautions:

1. Disconnect the appliance from electricity supply.
2. Remove all food.
3. Defrost the appliance.
4. Clean the appliance and all accessories.
5. Leave the doors open to prevent unpleasant smells.

## 8. TROUBLESHOOTING

### ⚠ WARNING!

Refer to Safety chapters.

## 8.1 What to do if...

Problem	Possible cause	Solution
The appliance does not operate.	The appliance is switched off.	Switch on the appliance.
	The mains plug is not connected to the mains socket correctly.	Connect the mains plug to the mains socket correctly.
The appliance is noisy.	There is no voltage in the mains socket.	Connect a different electrical appliance to the mains socket. Contact a qualified electrician.
	The appliance is not supported properly.	Check if the appliance stands stable.
Acoustic or visual alarm is on.	The cabinet has been recently switched on.	Refer to "High temperature alarm" or "Door open alarm".
	The temperature in the appliance is too high.	Refer to "High temperature alarm" or "Door open alarm".
	The door is left open.	Close the door.
The compressor operates continually.	Temperature is set incorrectly.	Refer to "Control panel" chapter.
	Many food products were put in at the same time.	Wait a few hours and then check the temperature again.
	The room temperature is too high.	Refer to "Installation" chapter.
	Food products placed in the appliance were too warm.	Allow food products to cool to room temperature before storing.
	The door is not closed correctly.	Refer to "Closing the door" section.
The compressor does not start immediately after pressing the "Frostmatic", or after changing the temperature.	The Frostmatic function is switched on.	Refer to "Frostmatic function" section.
	The compressor starts after a period of time.	This is normal, no error has occurred.
Door is misaligned or interferes with ventilation grill.	The appliance is not levelled.	Refer to installation instructions.
Door does not open easily.	You attempted to re-open the door immediately after closing.	Wait a few seconds between closing and re-opening of the door.
The lamp does not work.	The lamp is in stand-by mode.	Close and open the door.
	The lamp is defective.	Contact the nearest Authorized Service Centre.
There is too much frost and ice.	The door is not closed correctly.	Refer to "Closing the door" section.
	The gasket is deformed or dirty.	Refer to "Closing the door" section.
	Food products are not wrapped properly.	Wrap the food products better.
	Temperature is set incorrectly.	Refer to "Control panel" chapter.

<b>Problem</b>	<b>Possible cause</b>	<b>Solution</b>
	Appliance is fully loaded and is set to the lowest temperature.	Set a higher temperature. Refer to "Control panel" chapter.
	Temperature set in the appliance is too low and the ambient temperature is too high.	Set a higher temperature. Refer to "Control panel" chapter.
Water flows on the rear plate of the refrigerator.	During the automatic defrosting process, frost melts on the rear plate.	This is correct.
There is too much condensed water on the rear wall of the refrigerator.	Door was opened too frequently.	Open the door only when necessary.
	Door was not closed completely.	Make sure the door is closed completely.
	Stored food was not wrapped.	Wrap food in suitable packaging before storing it in the appliance.
Water flows inside the refrigerator.	Food products prevent the water from flowing into the water collector.	Make sure that food products do not touch the rear plate.
	The water outlet is clogged.	Clean the water outlet.
Water flows on the floor.	The melting water outlet is not connected to the evaporative tray above the compressor.	Attach the melting water outlet to the evaporative tray.
Temperature cannot be set.	The Frostmatic function is switched on.	Switch off Frostmatic function manually, or wait until the function deactivates automatically to set the temperature. Refer to "Frostmatic function" section.
The temperature in the appliance is too low/too high.	The temperature is not set correctly.	Set a higher/lower temperature.
	The door is not closed correctly.	Refer to "Closing the door" section.
	The food products' temperature is too high.	Let the food products temperature decrease to room temperature before storage.
	Many food products are stored at the same time.	Store less food products at the same time.
	The thickness of the frost is greater than 4-5 mm.	Defrost the appliance.
	The door has been opened often.	Open the door only if necessary.
	The Frostmatic function is switched on.	Refer to "Frostmatic function" section.
	There is no cold air circulation in the appliance.	Make sure that there is cold air circulation in the appliance. Refer to "Hints and tips" chapter.
Temperature setting LEDs flash at the same time.	An error has occurred in measuring the temperature.	Contact the nearest Authorised Service Centre. The cooling system will continue to keep food products cold, but temperature adjustment will not be possible.





If the advice does not lead to the desired result, call the nearest Authorized Service Centre.

## 8.2 Replacing the lamp

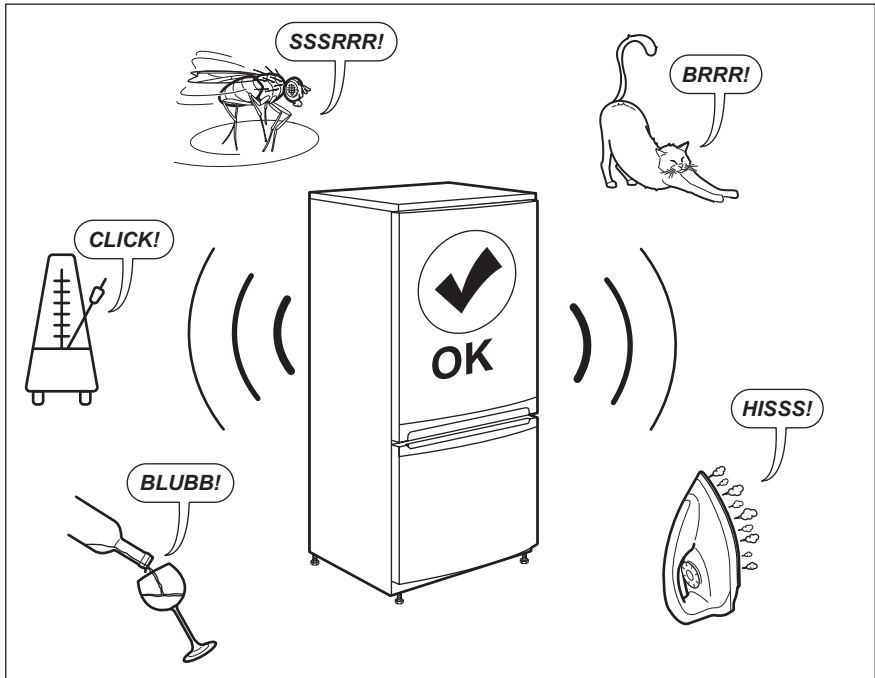
The appliance is equipped with a longlife LED interior light.

Only service is allowed to replace the lighting device. Contact your Authorised Service Centre.

## 8.3 Closing the door

1. Clean the door gaskets.
2. If necessary, adjust the door. Refer to installation instructions.
3. If necessary, replace the defective door gaskets. Contact the Authorised Service Centre.

# 9. NOISES



# 10. TECHNICAL DATA

The technical information is situated in the rating plate on the internal side of the appliance and on the energy label.

The QR code on the energy label supplied with the appliance provides a web link to the information related to the performance of the appliance in the EU EPREL database. Keep the energy label for reference together

with the user manual and all other documents provided with this appliance.

It is also possible to find the same information in EPREL using the link <https://eprel.ec.europa.eu> and the model

name and product number that you find on the rating plate of the appliance.


See the link [www.theenergylabel.eu](http://www.theenergylabel.eu) for detailed information about the energy label.


## 11. INFORMATION FOR TEST INSTITUTES

Installation and preparation of the appliance for any EcoDesign verification shall be compliant with EN 62552 (EU). Ventilation requirements, recess dimensions and minimum rear clearances shall be as stated

in this User Manual in "Installation". Please contact the manufacturer for any other further information, including loading plans.

## 12. ENVIRONMENTAL CONCERNS

Recycle materials with the symbol . Put the packaging in relevant containers to recycle it. Help protect the environment and human health by recycling waste of electrical and electronic appliances. Do not dispose of

appliances marked with the symbol  with the household waste. Return the product to your local recycling facility or contact your municipal office.

**Benvenuto in AEG! Grazie per aver scelto di acquistare questo prodotto.**



Ricevere consigli, scaricare i nostri opuscoli, eliminare eventuali anomalie, ottenere informazioni sull'assistenza e la riparazione:  
[www.aeg.com/support](http://www.aeg.com/support)

Con riserva di modifiche.

## INDICE

1. INFORMAZIONI DI SICUREZZA.....	19
2. ISTRUZIONI DI SICUREZZA.....	21
3. INSTALLAZIONE.....	23
4. PANNELLO DEI COMANDI.....	26
5. USO QUOTIDIANO.....	27
6. CONSIGLI E SUGGERIMENTI.....	29
7. CURA E PULIZIA.....	31
8. RISOLUZIONE DEI PROBLEMI.....	32
9. RUMORI.....	36
10. DATI TECNICI.....	36
11. INFORMAZIONI PER GLI ISTITUTI DI TEST.....	36
12. CONSIDERAZIONI SULL'AMBIENTE.....	37

## 1. ⚠ INFORMAZIONI DI SICUREZZA

Leggere attentamente le istruzioni fornite prima di installare e utilizzare l'apparecchiatura. I produttori non sono responsabili di eventuali lesioni o danni derivanti da un'installazione o un uso scorretti. Conservare sempre le istruzioni in un luogo sicuro e accessibile per poterle consultare in futuro.

### 1.1 Sicurezza dei bambini e delle persone vulnerabili

- Quest'apparecchiatura può essere usata da bambini a partire da 8 anni di età e da adulti con capacità fisiche, sensoriali o mentali limitate o con scarsa esperienza e conoscenza sull'uso dell'apparecchiatura, solamente se sorvegliati o se istruiti relativamente all'utilizzo in sicurezza dell'apparecchiatura e se hanno compreso i rischi coinvolti. I bambini di età compresa tra i 3 e gli 8 anni e le persone con disabilità diffuse e complesse possono caricare e scaricare l'apparecchiatura a condizione che siano stati

istruiti adeguatamente. Tenere i bambini al di sotto dei 3 anni lontani dall'apparecchiatura, a meno che non vi sia una supervisione continua.

- Sorvegliare i bambini per assicurarsi che non giochino con l'apparecchiatura.
- I bambini non devono eseguire interventi di pulizia e manutenzione sull'elettrodomestico senza essere supervisionati.
- Tenere gli imballaggi lontano dai bambini e smaltirli in modo adeguato.

## **1.2 Avvertenze di sicurezza generali**

- Quest'apparecchiatura è destinata esclusivamente alla conservazione di alimenti e bevande.
- Quest'apparecchiatura è progettata per un uso domestico singolo in un ambiente interno.
- Quest'apparecchiatura può essere utilizzata in uffici, camere d'albergo, camere di bed & breakfast, alloggi in agriturismi e altre sistemazioni simili in cui tale utilizzo non superi i livelli di utilizzo domestico (medi).
- Per evitare la contaminazione degli alimenti rispettare le seguenti istruzioni:
  - non aprire la porta per lunghi periodi;
  - pulire regolarmente le superfici che possono venire a contatto con gli alimenti e i sistemi di drenaggio accessibili;
  - conservare la carne e il pesce crudo in contenitori adeguati in frigorifero, in modo che non venga a contatto con altri alimenti e non goccioli su altri alimenti.
- **AVVERTENZA:** Verificare che le aperture di ventilazione, sia sull'apparecchiatura che nella struttura da incasso, siano libere da ostruzioni.
- **AVVERTENZA:** Non usare dispositivi elettrici o altri mezzi artificiali non raccomandati dal produttore allo scopo di accelerare il processo di sbrinamento.
- **AVVERTENZA:** Non danneggiare il circuito refrigerante.

- **AVVERTENZA:** Non utilizzare apparecchiature elettriche all'interno dei compartimenti di conservazione degli alimenti, ad eccezione di quelli consigliati dal costruttore.
- Non nebulizzare acqua né utilizzare vapore per pulire l'apparecchiatura.
- Pulire l'apparecchiatura con un panno inumidito e morbido. Utilizzare solo detergenti neutri. Non usare prodotti abrasivi, spugnette abrasive, solventi od oggetti metallici.
- Quando l'apparecchiatura resta vuota per un lungo periodo di tempo, spegnerla, sbrinarla, pulirla, asciugarla e lasciare la porta aperta per evitare la formazione di muffa al suo interno.
- Non conservare in questa apparecchiatura sostanze esplosive come bombolette spray contenenti un propellente infiammabile.
- Se il cavo di alimentazione è danneggiato, deve essere sostituito dal produttore, da un tecnico autorizzato o da una persona qualificata per evitare situazioni di pericolo.

## 2. ISTRUZIONI DI SICUREZZA

### 2.1 Installazione

#### **AVVERTENZA!**

L'installazione dell'apparecchiatura deve essere eseguita da personale qualificato.

- Rimuovere tutti i materiali di imballaggio.
- Non installare o utilizzare l'apparecchiatura se è danneggiata.
- Non usare l'apparecchiatura prima di installarla nella struttura a incasso date le misure di sicurezza.
- Attenersi alle istruzioni fornite insieme all'apparecchiatura.
- Prestare sempre attenzione in fase di spostamento dell'apparecchiatura, dato che è pesante. Usare sempre i guanti di sicurezza e le calzature adeguate.
- Assicurarsi che l'aria possa circolare liberamente attorno all'apparecchiatura.
- In fase di prima installazione o dopo aver girato la porta, attendere almeno 4 ore prima di collegare l'apparecchiatura alla sorgente di alimentazione. Questo serve a consentire all'olio di fluire nuovamente nel compressore.
- Prima di eseguire eventuali operazioni sull'apparecchiatura (ad esempio invertire la porta), togliere la spina dalla presa di corrente.
- Non installare l'apparecchiatura vicino a radiatori o fornelli, forni o piani cottura, se non diversamente specificato nelle istruzioni di installazione.
- Non esporre l'apparecchiatura alla pioggia.
- Non installare l'apparecchiatura dove sia esposta alla luce solare diretta.
- Non installare questa apparecchiatura in aree troppo umide o troppo fredde.
- Quando si sposta l'apparecchiatura, sollevarla dal bordo anteriore, così da non graffiare il pavimento.
- L'apparecchiatura contiene un sacchetto di essiccante. Questo prodotto non è un

giocattolo. Questo prodotto non è un alimento. Smaltirlo immediatamente.

## 2.2 Collegamento elettrico

### **AVVERTENZA!**

Rischio di incendio e scossa elettrica.

### **AVVERTENZA!**

In fase di posizionamento dell'apparecchiatura, verificare che il cavo di alimentazione non sia intrappolato o danneggiato.

### **AVVERTENZA!**

Non utilizzare prese multiple e prolunghe.

- L'apparecchiatura deve disporre di una messa a terra.
- Verificare che i parametri sulla targhetta siano compatibili con le indicazioni elettriche dell'alimentazione.
- Utilizzare sempre una presa elettrica con contatto di protezione correttamente installata.
- Accertarsi di non danneggiare i componenti elettrici (ad es. la spina di alimentazione, il cavo di alimentazione, il compressore). Contattare il centro di assistenza tecnica autorizzato o un elettricista per sostituire i componenti elettrici.
- Il cavo di alimentazione deve rimanere sotto il livello della spina di alimentazione.
- Inserire la spina di alimentazione nella presa solo al termine dell'installazione. Verificare che la spina di alimentazione rimanga accessibile dopo l'installazione.
- Non tirare il cavo di alimentazione per scollegare l'apparecchiatura. Tirare sempre dalla spina.

## 2.3 Utilizzo

### **AVVERTENZA!**

Rischio di lesioni, scottature o scosse elettriche.



L'apparecchiatura contiene gas infiammabile, isobutano (R600a), un gas

naturale con un alto livello di compatibilità ambientale. Fare attenzione a non danneggiare il circuito refrigerante che contiene isobutano.

- Non modificare le specifiche tecniche dell'apparecchiatura.
- È severamente vietato qualsiasi uso del prodotto a incasso come libera installazione.
- Non introdurre apparecchiature elettriche (ad es. gelatiere) nell'apparecchiatura se non specificamente consentito dal produttore.
- Nel caso di danno al circuito refrigerante, assicurarsi che non si sviluppino fiamme libere e scintille nel locale. Aerare bene l'ambiente.
- Non appoggiare oggetti incandescenti sulle parti in plastica dell'apparecchiatura.
- Non introdurre bevande analcoliche nel vano congelatore. Si verrà a creare una pressione nel contenitore della bevanda.
- Non conservare gas e liquidi infiammabili nell'apparecchiatura.
- Non appoggiare o tenere liquidi o materiali infiammabili, né oggetti facilmente infiammabili sull'apparecchiatura, al suo interno o nelle immediate vicinanze.
- Non toccare il compressore o il condensatore. Sono incandescenti.
- Non togliere o toccare gli oggetti nel vano congelatore con le mani bagnate o umide.
- Non ricongelare del cibo precedentemente scongelato.
- Attenersi alle istruzioni per la conservazione riportate sulla confezione del cibo surgelato.
- Avvolgere gli alimenti con materiali per uso alimentare prima di metterli nello scomparto del congelatore.
- Evitare che gli alimenti vengano a contatto con le pareti interne degli scomparti dell'apparecchiatura.

## 2.4 Illuminazione interna

### **AVVERTENZA!**

Pericolo di scossa elettrica.

- Questo prodotto contiene una o più sorgenti luminose di classe di efficienza energetica G.

- Per quanto riguarda la lampada o le lampade all'interno di questo prodotto e le lampade di ricambio vendute separatamente: Queste lampade sono destinate a resistere a condizioni fisiche estreme negli elettrodomestici, come temperatura, vibrazioni, umidità, o sono destinate a segnalare informazioni sullo stato operativo dell'apparecchio. Non sono destinate ad essere utilizzate in altre applicazioni e non sono adatte per l'illuminazione di ambienti domestici.

## 2.5 Pulizia e cura

### **AVVERTENZA!**

Rischio di lesioni o danni all'apparecchiatura.

- Prima di eseguire qualunque intervento di manutenzione, spegnere l'apparecchiatura ed estrarre la spina dalla presa.
- L'unità refrigerante di questa apparecchiatura contiene idrocarburi. L'unità deve essere ricaricata ed ispezionata esclusivamente da personale qualificato.
- Controllare regolarmente lo scarico dell'apparecchiatura e, se necessario, pulirlo. L'ostruzione dello scarico può causare un deposito di acqua di sbrinamento sul fondo dell'apparecchiatura.

## 2.6 Assistenza

- Per far riparare l'apparecchiatura, rivolgersi a un Centro di Assistenza Autorizzato. Utilizzare solo ricambi originali.
- Tenere presente che la riparazione autonoma o non professionale possono

avere conseguenze sulla sicurezza e potrebbero invalidare la garanzia.

- I pezzi di ricambio seguenti sono disponibili per almeno 7 anni dopo la cessazione della produzione del modello: termostati, sensori di temperatura, circuiti stampati, sorgenti luminose, maniglie delle porte, cerniere delle porte, vassoi e cestelli. Le guarnizioni per porte sono disponibili per almeno 10 anni dopo la cessazione della produzione del modello. La durata potrebbe essere più lunga nel tuo Paese. Per ulteriori informazioni visita il nostro sito web.
- Si prega di notare che alcuni di questi pezzi di ricambio sono disponibili solo per i riparatori professionisti e che non tutti i pezzi di ricambio sono rilevanti per tutti i modelli.

## 2.7 Smaltimento

### **AVVERTENZA!**

Rischio di lesioni o soffocamento.

- Staccare la spina dall'alimentazione elettrica.
- Tagliare il cavo di rete e smaltirlo.
- Rimuovere la porta per evitare che bambini e animali domestici rimangano chiusi all'interno dell'apparecchiatura.
- Il circuito refrigerante e i materiali di isolamento di questa apparecchiatura rispettano l'ozono.
- La schiuma isolante contiene gas infiammabili. Contattare le autorità locali per ricevere informazioni su come smaltire correttamente l'apparecchiatura.
- Non danneggiare i componenti dell'unità refrigerante che si trovano vicino allo scambiatore di calore.

# 3. INSTALLAZIONE

### **AVVERTENZA!**

Fare riferimento ai capitoli sulla sicurezza.

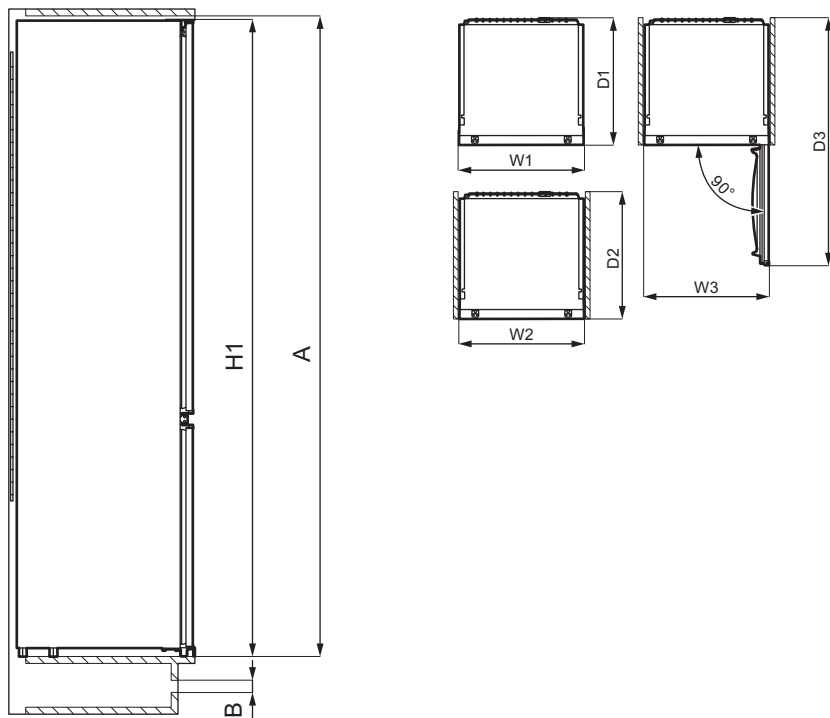
### **AVVERTENZA!**

Per l'installazione dell'apparecchio, fare riferimento al documento di istruzioni per l'installazione.

**⚠ AVVERTENZA!**

Fissare l'apparecchio secondo le istruzioni di installazione per evitare il rischio di instabilità dell'apparecchio.

### 3.1 Dimensioni



#### Dimensioni complessive <sup>1</sup>

H1	mm	1575
W1*	mm	548
D1	mm	549

<sup>1</sup> l'altezza, la larghezza e la profondità dell'apparecchiatura senza l'impugnatura

\* compresa la larghezza delle cerniere inferiori (8 mm)

#### Spazio necessario durante l'uso <sup>2</sup>

H2 (A+B)	mm	1616
W2*	mm	548
D2	mm	551
A	mm	1580
B	mm	36

<sup>2</sup> l'altezza, la larghezza e la profondità dell'apparecchio, compresa la maniglia, più lo



spazio necessario per la libera circolazione dell'aria di raffreddamento

\* compresa la larghezza delle cerniere inferiori (8 mm)

### Spazio complessivo necessario durante l'uso<sup>3</sup>

H3 (A+B)	mm	1616
W3*	mm	548
D3	mm	1071

<sup>3</sup> l'altezza, la larghezza e la profondità dell'apparecchiatura, compresa la maniglia, più lo spazio necessario per la libera circolazione dell'aria di raffreddamento, più lo spazio necessario per consentire l'apertura della porta con l'angolazione minima che permette la rimozione di tutte le apparecchiature interne

\* compresa la larghezza delle cerniere inferiori (8 mm)

## 3.2 Posizione

Per garantire la migliore funzionalità dell'apparecchiatura, non installarla in un luogo esposto alla luce diretta del sole. Non installare l'apparecchiatura vicino a radiatori o fornelli, forni o piani cottura, se non diversamente specificato nelle istruzioni di installazione.

Controllare che sul retro dell'apparecchio sia garantita un'adeguata circolazione dell'aria.

Questa apparecchiatura deve essere installata in una posizione interna asciutta e ben ventilata.

Quest'elettrodomestico è destinato a essere utilizzato a temperature ambiente che vanno da 10°C a 43°C.



Il corretto funzionamento dell'apparecchiatura può essere garantito solo nel rispetto delle temperature indicate.



In caso di dubbi sul luogo di installazione dell'apparecchiatura, contattare il venditore, il nostro Centro di Assistenza o il Centro di Assistenza Autorizzato più vicino.



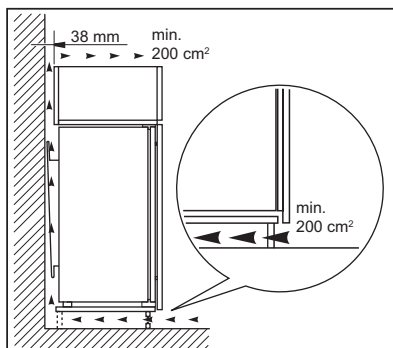
Deve essere possibile scollegare l'apparecchiatura dalla rete elettrica. Eseguire perciò l'installazione facendo sì che la spina rimanga facilmente accessibile.

## 3.3 Collegamento elettrico

- Prima di collegare la spina, assicurarsi che la tensione e la frequenza indicate sulla targhetta identificativa corrispondano all'alimentazione elettrica domestica.
- L'apparecchiatura deve essere collegata a terra. La spina del cavo di alimentazione è dotata di un contatto adatto a tal fine. Se la presa di alimentazione domestica non è collegata a terra, collegare l'apparecchiatura a una messa a terra separata in conformità alle normative vigenti, consultando un elettricista qualificato.
- Il produttore declina ogni responsabilità qualora non vengono rispettate le precauzioni per la sicurezza di cui sopra.

## 3.4 Requisiti di ventilazione

Assicurare un flusso d'aria sufficiente dietro l'apparecchiatura.



### **⚠ ATTENZIONE!**

Consultare le istruzioni per l'installazione.

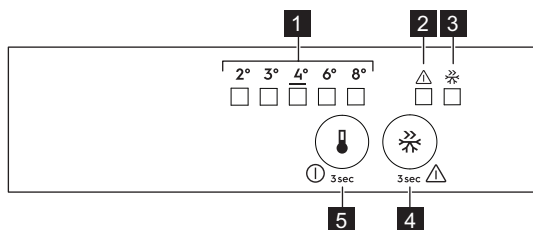
## **3.5 Possibilità di invertire la porta**

Fare riferimento al documento separato con le istruzioni per l'installazione e l'inversione della porta.

### **⚠ ATTENZIONE!**

In ogni fase di inversione della porta proteggere il pavimento da graffi con un materiale resistente.

## **4. PANNELLO DEI COMANDI**



- 1** Indicatore LED della temperatura
- 2** Spia di allarme
- 3** Indicatore Frostmatic
- 4** Tasto Frostmatic
- 5** Regolatore della temperatura  
Pulsante ON/OFF

### **4.1 Accensione**

- Inserire la spina nella presa a muro.
- Premere il tasto regolatore della temperatura se tutti i LED sono spenti.

### **4.2 Spegnimento**

Continuare a premere il tasto regolatore della temperatura per 3 secondi.  
Tutte le spie si spengono.

### **4.3 Regolazione della temperatura**

Per attivare l'apparecchiatura, premere il regolatore della temperatura fino a quando non si accende il LED corrispondente alla temperatura desiderata. La selezione è progressiva, variando da + 2 °C a + 8 °C. L'impostazione consigliata è 4 °C.

- Premere il pulsante regolatore della temperatura .

La spia della temperatura attuale lampeggia. Ogni volta che si preme il pulsante regolatore della temperatura , l'impostazione cambia di una posizione. La spia LED corrispondente lampeggia per un istante.

2. Premere il regolatore della temperatura fino a che non viene selezionata la temperatura richiesta.



La temperatura impostata verrà raggiunta entro 24 ore. Dopo un'interruzione di corrente la temperatura impostata rimane memorizzata.

### **4.4 Frostmatic funzione**

La funzione Frostmatic viene utilizzata per eseguire il pre-congelamento e il congelamento rapido in sequenza del vano congelatore. Accelera il congelamento di alimenti freschi e, al tempo stesso, protegge gli alimenti già conservati nello scomparto da riscaldamenti indesiderati.



Per congelare alimenti freschi, attivare la funzione Frostmatic almeno 24 ore prima di posizionare gli alimenti per completare il precongelo.

Per attivare la funzione Frostmatic premere il pulsante Frostmatic. L'indicatore Frostmatic si accende.



Questa funzione si arresta automaticamente dopo 52 ore.

È possibile disattivare la funzione in qualsiasi momento premendo nuovamente il tasto Frostmatic. La spia Frostmatic si spegne.

#### 4.5 Allarme di porta aperta

Se la porta del frigorifero viene lasciata aperta per circa 5 minuti, si avvia l'allarme acustico.

Durante l'allarme, il segnale acustico può essere disattivato premendo qualsiasi pulsante. Il suono si spegne automaticamente dopo circa un'ora per evitare di disturbare.

L'allarme si disattiva dopo la chiusura della porta.

#### 4.6 Allarme temperatura elevata

Quando c'è un aumento di temperatura nel vano congelatore (per esempio a causa di un'interruzione di corrente precedente), la spia di allarme lampeggia e il segnale acustico è attivo.

Per disattivare il segnale acustico premere qualsiasi pulsante.

La spia di allarme continua a lampeggiare fino al ripristino delle condizioni normali.

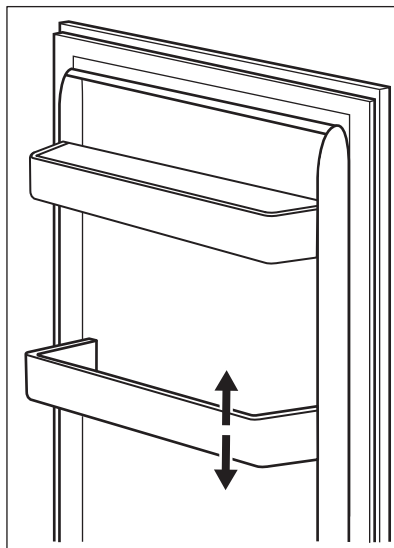
Se non si preme alcun pulsante, il segnale acustico si disattiva automaticamente dopo circa un'ora, per non disturbare.

## 5. USO QUOTIDIANO

### 5.1 Posizionamento dei ripiani della porta

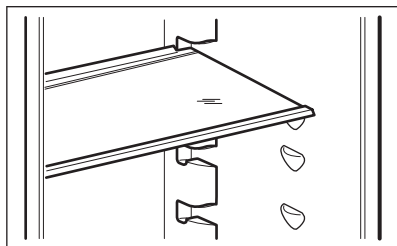
Per consentire la conservazione di confezioni per alimenti di varie dimensioni, i ripiani per porta possono essere posizionati ad altezze differenti.

1. Tirare gradualmente il ripiano fino a che non si libera.
2. Riposizionare come necessario.



## 5.2 Ripiani rimovibili

Le guide presenti sulle pareti del frigorifero permettono di posizionare i ripiani a diverse altezze.



Per garantire una corretta circolazione dell'aria, non spostare il ripiano di vetro posto sopra il cassetto delle verdure.

## 5.3 Cassetto per verdura

Nella parte inferiore dell'apparecchiatura è presente un cassetto speciale adatto alla conservazione di frutta e verdura.

## 5.4 Congelamento di alimenti freschi

Lo scomparto congelatore è adatto al congelamento di alimenti freschi e alla conservazione di alimenti congelati e surgelati a lungo.

Per congelare gli alimenti freschi, attivare la funzione Frostmatic almeno 24 ore prima di introdurli nel vano congelatore per il congelamento.

Conservare gli alimenti freschi distribuiti uniformemente nella parte inferiore dello scomparto congelatore.

La quantità massima di cibo che può essere congelata, senza l'aggiunta di altri alimenti freschi per 24 ore, è indicata sulla targhetta (un'etichetta situata all'interno dell'apparecchiatura).

Al termine del processo di congelamento l'apparecchiatura ritorna automaticamente all'impostazione della temperatura precedente (vedere "Funzione Frostmatic").



In questa condizione, la temperatura all'interno del frigorifero potrebbe cambiare leggermente.

Per ulteriori informazioni, fare riferimento a "Consigli per il congelamento".

## 5.5 Conservazione di cibi congelati

Al primo avvio o dopo un periodo di non utilizzo, lasciare in funzione l'apparecchiatura per almeno 3 ore attivando la funzione Frostmatic prima di introdurre gli alimenti.

Il cibo deve trovarsi ad una distanza di 15 mm dalla porta.



### ATTENZIONE!

In caso di scongelamento accidentale, ad esempio a causa di un'interruzione di corrente, se la corrente è rimasta spenta più a lungo del valore indicato sulla targhetta sotto "tempo di risalita", gli alimenti scongelati devono essere consumati rapidamente o cotti immediatamente, poi raffreddati e quindi ricongelati. Vedere "Allarme temperatura elevata".

## 5.6 Scongelamento

I cibi surgelati o congelati, prima di essere consumati, possono essere scongelati in frigorifero o all'interno di un sacchetto di plastica sotto l'acqua fredda.

Questa operazione dipende dal tempo a disposizione e dal tipo di alimento. Le piccole porzioni possono essere cucinate direttamente, senza essere prima scongelati.

## 6. CONSIGLI E SUGGERIMENTI

### 6.1 Consigli per il risparmio energetico

- Congelatore: L'uso più efficiente dell'energia dipende dalla configurazione interna dell'apparecchiatura.
- Frigorifero: L'uso più efficiente dell'energia è garantito dalla configurazione con i cassetti nella parte inferiore dell'apparecchiatura e i ripiani distribuiti uniformemente. La posizione degli scomparti sulla porta non influisce sul consumo energetico.
- Non aprire frequentemente la porta e limitare il più possibile i tempi di apertura.
- Congelatore: Più fredda è l'impostazione della temperatura, maggiore è il consumo di energia.
- Frigorifero: Non impostare una temperatura troppo alta per risparmiare energia, a meno che non sia richiesta dalle caratteristiche dell'alimento.
- Se la temperatura ambiente è elevata, il controllo della temperatura è impostato su un valore basso e l'apparecchiatura è a pieno carico, il compressore può funzionare in maniera ininterrotta, causando la formazione di brina o di ghiaccio sull'evaporatore. In questo caso, impostare il controllo della temperatura su una posizione più elevata per consentire lo sbrinamento automatico e ridurre così il consumo di energia.
- Garantire una buona ventilazione. Non coprire le griglie o i fori di ventilazione.


### 6.2 Consigli per il congelamento

- Attivare la funzione Frostmatic almeno 24 ore prima di inserire gli alimenti nel vano congelatore.
- Prima di congelare, avvolgere e sigillare gli alimenti freschi in: foglio di alluminio, pellicola o sacchetti di plastica, contenitori ermetici con coperchio.
- Per congelare e scongelare in modo più efficace, suddividere gli alimenti in piccole porzioni.
- Si raccomanda di mettere etichette e date su tutti gli alimenti surgelati. Questo aiuterà a identificare gli alimenti e a

sapere quando devono essere utilizzati prima del loro deterioramento.

- Il cibo deve essere fresco quando viene congelato per preservarne la buona qualità. Soprattutto frutta e verdura dovrebbero essere congelate dopo il raccolto per preservare tutte le loro sostanze nutritive.
- Non congelare bottiglie o lattine con liquidi, in particolare bevande contenenti anidride carbonica - potrebbero esplodere durante il congelamento.
- Non mettere cibi caldi nel congelatore. Raffreddarli a temperatura ambiente prima di collocarli all'interno dello scomparto.
- Al fine di evitare gli aumenti di temperatura di alimenti già congelati, non mettere alimenti freschi scongelati nelle immediate vicinanze. Collocare gli alimenti a temperatura ambiente nella parte dello scomparto del congelatore dove non ci sono cibi surgelati.
- Non mangiare i cubetti di ghiaccio, i ghiaccioli o granite subito dopo averli tolti dal congelatore. Rischio di sintomi da congelamento.
- Non congelare nuovamente il cibo scongelato. Se il cibo si è scongelato, cuocerlo, raffreddarlo e poi congelarlo.

### 6.3 Consigli per la conservazione di cibi congelati

- Il vano congelatore è quello contrassegnato con .
- L'impostazione della temperatura media garantisce una buona conservazione dei cibi congelati. L'impostazione di una temperatura più elevata all'interno dell'apparecchiatura può portare a una minore durata di conservazione.
- L'intero scomparto del congelatore è adatto alla conservazione di prodotti alimentari surgelati.
- Lasciare abbastanza spazio intorno al cibo per permettere all'aria di circolare liberamente.
- Per una conservazione adeguata, fare riferimento all'etichetta sulla confezione

dell'alimento per vedere la durata di conservazione degli alimenti.

- È importante avvolgere il cibo in modo tale da evitare che l'acqua, l'umidità o la condensa penetrino all'interno.

## 6.4 Consigli per l'acquisto

Dopo aver acquistato alimenti:

- Assicurarsi che l'imballaggio non sia danneggiato - il cibo potrebbe deteriorarsi. Se la confezione è gonfia o bagnata, potrebbe non essere stata conservata nelle condizioni ottimali e lo sbrinamento potrebbe essere già iniziato.

- Per limitare il processo di scongelamento, acquistare i prodotti surgelati alla fine della spesa e trasportarli in un sacchetto termico e isolato.
- Mettete i surgelati immediatamente nel congelatore dopo essere tornati dal negozio.
- Se il cibo si è scongelato anche solo parzialmente, non congelarlo di nuovo. Consumarlo il prima possibile.
- Rispettare la data di scadenza e le informazioni di conservazione sulla confezione.

## 6.5 Periodo di conservazione per scomparto congelatore

Tipo di cibo	Periodo di conservazione (mesi)
Pane	3
Frutta (a eccezione degli agrumi)	6 - 12
Verdure	8 - 10
Avanzi senza carne	1 - 2
<b>Latticini:</b>	
Burro	6 - 9
Formaggio a pasta molle (ad es. mozzarella)	3 - 4
Formaggio a pasta dura (ad es. parmigiano, cheddar)	6
<b>Frutti di mare:</b>	
Pesci grassi (ad es. salmone, sgombro)	2 - 3
Pesci magri (ad es. merluzzo, platessa)	4 - 6
Gamberetti	12
Vongole e cozze sgusciate	3 - 4
Pesce cotto	1 - 2
<b>Carne:</b>	
Pollame	9 - 12
Manzo	6 - 12
Maiale	4 - 6
Agnello	6 - 9
Salsiccia	1 - 2
Prosciutto	1 - 2
Avanzi con carne	2 - 3

## 6.6 Suggerimenti per la refrigerazione degli alimenti freschi


- Una buona impostazione della temperatura che garantisce la conservazione degli alimenti freschi è una temperatura inferiore o uguale a +4°C.

L'impostazione di una temperatura più elevata all'interno dell'apparecchio può portare a una minore durata di conservazione degli alimenti.

- Coprire il cibo con un imballaggio per preservarne la freschezza e l'aroma.

- Utilizzare sempre contenitori chiusi per liquidi e per alimenti, per evitare sapori o odori nello scomparto.
- Per evitare la contaminazione incrociata tra cibo cotto e crudo, coprire il cibo cotto e separarlo da quello crudo.
- Si consiglia di scongelare il cibo all'interno del frigorifero.
- Non inserire cibo caldo all'interno dell'apparecchiatura. Assicurarsi che si sia raffreddato a temperatura ambiente prima di inserirlo.
- Per evitare lo spreco di cibo, la nuova scorta di cibo dovrebbe essere sempre collocata dietro a quella vecchia.

## 6.7 Consigli per la refrigerazione dei cibi

- Il comparto alimenti freschi è quello contrassegnato (sulla targhetta dei dati) con .
- Carne (tutti i tipi): deve essere avvolta in appositi sacchetti e collocata sul ripiano di

vetro, sopra il cassetto delle verdure. La carne può essere conservata al massimo per 1-2 giorni.

- Frutta e verdura: pulire accuratamente (eliminare lo sporco) e riporre nell'apposito cassetto (cassetto per la verdura).
- Si consiglia di non conservare in frigorifero i frutti esotici come banane, manghi, papaie, ecc.
- Le verdure come pomodori, patate, cipolle e aglio non devono essere conservate in frigorifero.
- Burro e formaggio: riporli in un apposito contenitore sottovuoto oppure avvolgerli in un foglio di alluminio o in un sacchetto di polietilene per limitare il più possibile la presenza di aria.
- Bottiglie: chiuderle con un tappo e conservarle nel ripiano portabottiglie della porta, o (se presente) sulla griglia portabottiglie.
- Fare sempre riferimento alla data di scadenza dei prodotti per sapere per quanto tempo conservarli.

## 7. CURA E PULIZIA

### **AVVERTENZA!**

Fare riferimento ai capitoli sulla sicurezza.

### 7.1 Pulizia dell'interno

Prima di utilizzare l'elettrodomestico per la prima volta, lavare l'interno e gli accessori con acqua tiepida e sapone neutro per eliminare il tipico odore dei prodotti nuovi, quindi asciugare accuratamente.

### **ATTENZIONE!**

Non usare detersivi, polveri abrasive, detersivi a base di cloro od olio, in quanto potrebbero danneggiare le finiture.

### **ATTENZIONE!**

Gli accessori e le parti dell'elettrodomestico non sono adatti per essere lavati in lavastoviglie.

### 7.2 Pulizia periodica

L'apparecchiatura deve essere pulita regolarmente:

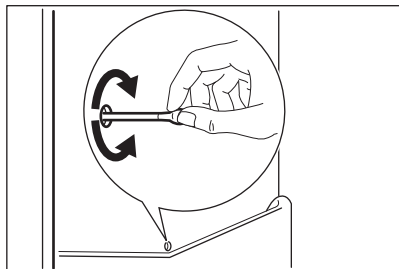
1. Lavare l'interno e gli accessori con acqua tiepida e sapone neutro.
2. Ispezionare regolarmente le guarnizioni della porta ed eliminare con un panno umido tracce di sporco e residui.
3. Risciacquare e asciugare accuratamente.

### 7.3 Sbrinamento del frigorifero

Durante il normale utilizzo, la brina viene eliminata automaticamente dall'evaporatore dello scomparto del frigorifero. L'acqua di sbrinamento viene scaricata attraverso una canalina in un contenitore speciale sul retro dell'apparecchiatura, sopra il compressore del motore, dove evapora.

È importante pulire periodicamente il foro di scarico dell'acqua di sbrinamento nella parte mediana del canale dello scomparto del frigorifero per evitare che l'acqua fuoriesca sugli alimenti.

A tal fine usare il pulisci-tubo fornito in dotazione con l'apparecchiatura.



## 7.4 Scongellamento del congelatore

### ⚠ ATTENZIONE!

Non usare mai utensili metallici appuntiti per rimuovere la brina dall'evaporatore, in quanto potrebbero danneggiarlo. Non usare dispositivi meccanici o altri mezzi artificiali non raccomandati dal produttore allo scopo di accelerare il processo di sbrinamento.



Circa 12 ore prima dello sbrinamento, impostare una temperatura più bassa per accumulare una riserva di freddo sufficiente in caso di eventuale interruzione del funzionamento.

Sui ripiani del congelatore e attorno allo scomparto superiore si formerà sempre della brina.

Sbrinare il congelatore, quando lo strato di brina raggiunge uno spessore di circa 3-5 mm.

1. Spegnerne l'elettrodomestico o estrarre la spina della presa a parete.
2. Rimuovere gli alimenti conservati e riporli in un luogo fresco.

### ⚠ ATTENZIONE!

Un innalzamento della temperatura dei cibi congelati durante lo sbrinamento può ridurre la loro durata di conservazione.

Non toccare gli oggetti congelati con le mani bagnate. Le mani potrebbero congelarsi al contatto.

3. Lasciare lo sportello aperto. Proteggere il pavimento dall'acqua di sbrinamento, ad esempio, con un panno o un recipiente piatto.
4. Per accelerare il processo di sbrinamento, collocare una ciotola di acqua calda nel vano congelatore. Inoltre, rimuovere i pezzi di ghiaccio che si distaccano prima che lo sbrinamento sia completo.
5. Una volta completato lo sbrinamento, asciugare accuratamente l'interno.
6. Accendere l'elettrodomestico e chiudere lo sportello.
7. Impostare il regolatore di temperatura al livello massimo di raffreddamento e lasciare in funzione l'apparecchiatura per almeno tre ore.

Solo successivamente rimettere gli alimenti nello scomparto congelatore.

## 7.5 Periodi di non utilizzo

Se l'apparecchiatura non viene utilizzata per un lungo periodo, adottare le seguenti precauzioni:

1. Scollegare l'apparecchiatura dalla rete elettrica.
2. Rimuovere tutto il cibo.
3. Sbrinare l'apparecchiatura.
4. Pulire l'apparecchiatura e tutti gli accessori.
5. Lasciare le porte aperte per evitare la formazione di odori sgradevoli.

## 8. RISOLUZIONE DEI PROBLEMI

### ⚠ AVVERTENZA!

Fare riferimento ai capitoli sulla sicurezza.



## 8.1 Cosa fare se...

Problema	Causa possibile	Soluzione
L'apparecchiatura non funziona.	L'apparecchiatura è spenta.	Accendere l'apparecchiatura.
	La spina non è collegata correttamente alla presa elettrica.	Collegare correttamente la spina alla presa elettrica.
L'apparecchiatura è rumorosa.	La presa elettrica non ha tensione.	Collegare un'apparecchiatura elettrica diversa alla presa di alimentazione. Contattare un elettricista qualificato.
	L'apparecchiatura non è supportata correttamente.	Controllare che l'apparecchiatura abbia una posizione stabile.
L'allarme acustico o visivo è attivo.	Il mobiletto è stato acceso di recente.	Vedere "Allarme temperatura elevata" o "Allarme di porta aperta".
	La temperatura all'interno dell'apparecchiatura è troppo alta.	Vedere "Allarme temperatura elevata" o "Allarme di porta aperta".
	La porta è stata lasciata aperta.	Chiudere la porta.
Il compressore funziona in modo continuo.	La temperatura non è impostata correttamente.	Vedere il capitolo "Pannello dei comandi".
	Sono stati introdotti molti alimenti contemporaneamente.	Attendere alcune ore e ricontrollare la temperatura.
	La temperatura ambiente è troppo alta.	Vedere il capitolo "Installazione".
	Gli alimenti introdotti nell'apparecchiatura erano troppo caldi.	Prima di introdurre gli alimenti, lasciarli raffreddare a temperatura ambiente.
	La porta non è chiusa correttamente.	Vedere la sezione "Chiusura della porta".
	La funzione Frostmatic è attiva.	Vedere la sezione "Funzione Frostmatic".
	Il compressore non si avvia immediatamente dopo avere premuto il tasto "Frostmatic", oppure dopo avere modificato la temperatura.	Il compressore si avvia dopo un certo periodo di tempo.
La porta non è allineata o interferisce con la griglia di ventilazione.	L'apparecchiatura non è perfettamente in piano.	Fare riferimento alle istruzioni di installazione.
La porta non si apre facilmente.	Si è cercato di riaprire la porta subito dopo averla chiusa.	Attendere alcuni secondi fra la chiusura della porta e la sua riapertura.
La lampadina non funziona.	La lampadina è in modalità standby.	Chiudere e aprire la porta.
	La lampadina è difettosa.	Contattare il Centro di Assistenza Autorizzato più vicino.
C'è una quantità eccessiva di brina e ghiaccio.	La porta non è chiusa correttamente.	Vedere la sezione "Chiusura della porta".

<b>Problema</b>	<b>Causa possibile</b>	<b>Soluzione</b>
	La guarnizione è deformata o sporca.	Vedere la sezione "Chiusura della porta".
	Gli alimenti non sono stati avvolti in maniera idonea.	Avvolgere meglio gli alimenti.
	La temperatura non è impostata correttamente.	Vedere il capitolo "Pannello dei comandi".
	L'apparecchiatura è completamente carica ed è impostata sulla temperatura più bassa.	Impostare una temperatura superiore. Vedere il capitolo "Pannello dei comandi".
	La temperatura impostata nell'apparecchiatura è troppo bassa e la temperatura ambiente è troppo alta.	Impostare una temperatura superiore. Vedere il capitolo "Pannello dei comandi".
Sulla piastra posteriore del frigorifero scorre l'acqua.	Durante lo sbrinamento automatico, la brina si scioglie sul pannello posteriore.	Ciò è corretto.
Si è condensata troppa acqua sulla parete posteriore del frigorifero.	La porta è stata aperta con eccessiva frequenza.	Aprire la porta solo se necessario.
	La porta non è stata chiusa completamente.	Controllare che la porta sia chiusa completamente.
	Il cibo conservato non è stato avvolto nell'apposito materiale.	Avvolgere gli alimenti in un imballaggio adeguato prima di riporli all'interno dell'apparecchiatura.
L'acqua scorre all'interno del frigorifero.	Gli alimenti impediscono all'acqua di scorrere nell'apposito collettore.	Assicurarsi che gli alimenti non tocchino il pannello posteriore.
	Lo scarico dell'acqua è ostruito.	Pulire lo scarico dell'acqua.
L'acqua scorre sul pavimento.	Lo scarico dell'acqua di sbrinamento non è collegato alla vaschetta di evaporazione posta al di sopra del compressore.	Collegare lo scarico dell'acqua di sbrinamento alla vaschetta di evaporazione.
Non è possibile impostare la temperatura.	Viene attivata la funzione Frostmatic.	Disattivare manualmente la funzione Frostmatic oppure aspettare finché la funzione si disattiva automaticamente per impostare la temperatura. Vedere la sezione "funzione Frostmatic".
La temperatura all'interno dell'apparecchiatura è troppo bassa/troppo alta.	La temperatura non è impostata correttamente.	Impostare una temperatura superiore/inferiore.
	La porta non è chiusa correttamente.	Vedere la sezione "Chiusura della porta".
	La temperatura degli alimenti è troppo alta.	Prima di introdurre gli alimenti, lasciarli raffreddare a temperatura ambiente.
	Sono stati introdotti molti alimenti contemporaneamente.	Introdurre meno alimenti poco alla volta allo stesso tempo.

Problema	Causa possibile	Soluzione
	Lo spessore della brina è maggiore di 4-5 mm.	Sbrinare l'apparecchiatura.
	La porta viene aperta frequentemente.	Aprire la porta solo se necessario.
	La funzione Frostmatic è attiva.	Vedere la sezione "Funzione Frostmatic".
	Nell'apparecchiatura non circola l'aria fredda.	Verificare che l'aria fredda circoli nell'apparecchiatura. Vedere il capitolo "Consigli e suggerimenti".
I LED relativi alle impostazioni della temperatura lampeggiano contemporaneamente.	Si è verificato un errore durante la misurazione della temperatura.	Contattare il Centro di Assistenza Autorizzato più vicino. Il sistema di raffreddamento continuerà a mantenere gli alimenti freddi, ma non sarà possibile regolare la temperatura.



Se il suggerimento non dà i risultati auspicati, contattare il Centro di Assistenza Autorizzato più vicino.

## 8.2 Sostituzione della lampadina

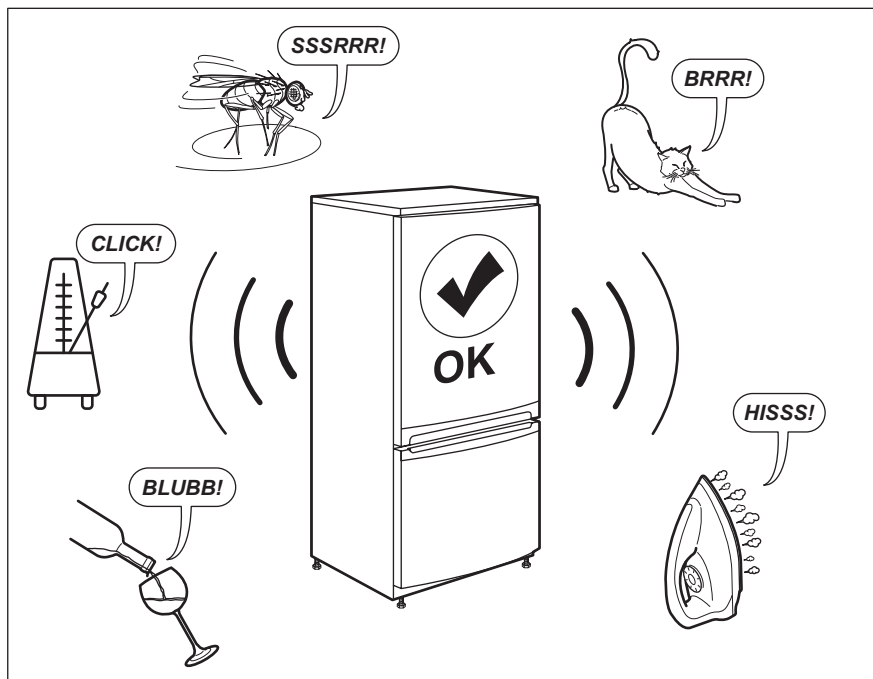
L'apparecchiatura è dotata di una lampadina interna a LED a lunga durata.

Solo l'assistenza tecnica può sostituire il dispositivo di illuminazione. Contattare il Centro Assistenza Autorizzato.

## 8.3 Chiusura della porta

1. Pulire le guarnizioni della porta.
2. Se necessario, regolare la porta. Fare riferimento alle istruzioni di installazione.
3. Se necessario, sostituire le guarnizioni difettose della porta. Contattare il Centro Assistenza Autorizzato.

## 9. RUMORI



## 10. DATI TECNICI

I dati tecnici sono riportati sulla targhetta dei dati applicata sul lato esterno dell'apparecchiatura e sull'etichetta dei valori energetici.

Il codice QR sull'etichetta energetica fornita con l'apparecchiatura riporta un link web alle informazioni correlate al funzionamento di questa apparecchiatura nella banca dati EPREL dell'UE. Conservare l'etichetta energetica come riferimento insieme al manuale d'uso e a tutti gli altri documenti forniti con questa apparecchiatura.

È possibile trovare le stesse informazioni anche in EPREL utilizzando il link <https://eprel.ec.europa.eu> e il nome del modello e il numero di prodotto che si trovano sulla targhetta dell'apparecchiatura.

Per informazioni dettagliate sull'etichetta energetica, vedere il sito [www.theenergylabel.eu](http://www.theenergylabel.eu).

## 11. INFORMAZIONI PER GLI ISTITUTI DI TEST


L'installazione e la preparazione dell'apparecchiatura per qualsiasi verifica di


EcoDesign devono essere conformi a EN 62552 (EU). I requisiti di ventilazione, le

dimensioni dell'incavo e le distanze minime dalla parte posteriore devono essere conformi a quanto indicato nel presente manuale d'uso sotto "Installazione". Si prega

di contattare il produttore per qualsiasi altra informazione, compresi i piani di carico.

## 12. CONSIDERAZIONI SULL'AMBIENTE

Riciclare i materiali con il simbolo . Buttare l'imballaggio negli appositi contenitori per il riciclaggio. Aiutare a proteggere l'ambiente e la salute umana e a riciclare rifiuti derivanti da apparecchiature elettriche ed elettroniche. Non smaltire le apparecchiature che riportano

il simbolo  insieme ai normali rifiuti domestici. Portare il prodotto al punto di riciclaggio più vicino o contattare il comune di residenza.





**aeg.com**

222382655-A-502023

