

C71

C71-F655-04 Sink combi 180/450 SelectSurfaces: **Stainless Steel Finish** Article Number: **43210800**

Description

product features

- consists of: built-in sink, 2-hole single lever kitchen mixer, control unit, hose box, automatic waste and overflow set
- material sink: stainless steel
- number of bowls: 1 main bowl and 1 additional bowl
- tap hole and hole for control unit are pre-drilled
- sink depth: 190 mm
- cut-out dimensions: 735 x 480 mm
- cabinet size: 80 cm
- type of installation: flat on the countertop (self-rimming) or flush-mount installation
- position overflow: on the right side of the main bowl
- tap ledge reinforcing for a tight and stable seating of the kitchen mixer
- corner radius: 10 mm
- connection type: G 3/8 connections
- connection dimension: DN15
- suitable for continuous flow water heaters
- ceramic cartridge
- MagFit magnetic shower support
- integrated non-return valve
- swivel range adjustable in 2 steps to 110° or 150°
- laminar spray and shower spray
- ComfortZone 320
- lockable shower spray, spray returns automatically through handle closing
- sBox for quiet, smooth and protected hose guidance in the cabinet, under the countertop
- extension length up to 76 cm
- push of control unit: intuitive start and stop function of the water flow, turn: automatic drain operation
- maximum flow rate at 3 bar: 7 l/min

Technology



C71

C71-F655-04 Sink combi 180/450 Select

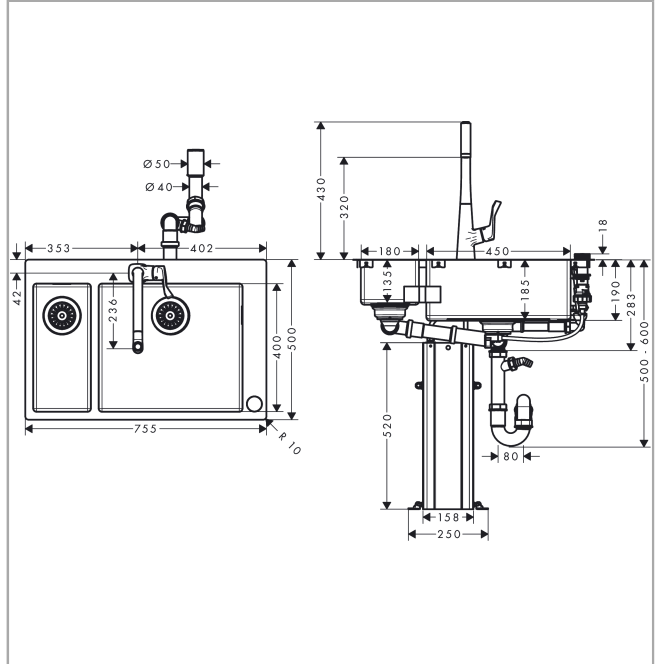
Surfaces: **Stainless Steel Finish** Article Number: **43210800**



Product image



Scale drawing



C71

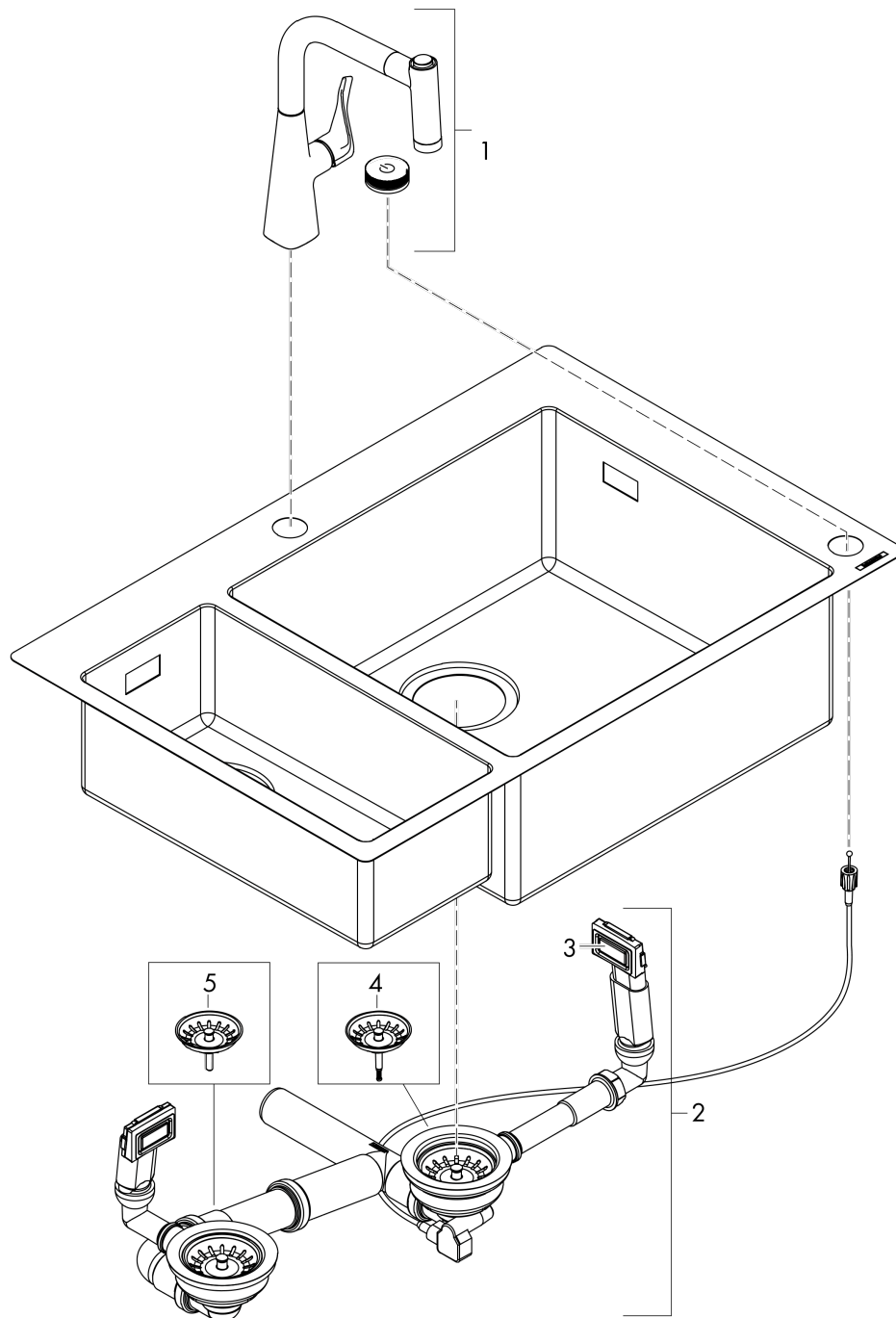
C71-F655-04 Sink combi 180/450 Select

Surfaces: **Stainless Steel Finish** Article Number: **43210800**



Exploded Drawing

Year of production: >04/17



C71

C71-F655-04 Sink combi 180/450 Select

Surfaces: **Stainless Steel Finish** Article Number: **43210800**



Spare part list

Year of production: >04/17

Pos.	Description	Article Number	Price	PU
1	kitchen mixer	73806800	-	1
2		43922800	-	1
3	cover	93514800	-	1
4	plug	93472800	-	1
5	plug	93471800	-	1
a	mounting kit	92960000	-	1
b	mounting kit	40950000	-	1
c	mounting kit	40951000	-	1