

# VSTQ72-2

Sink material	Stainless steel
Type	Squared bowl
No. of bowls	1
EAN code	8017709125608



## Aesthetics



<b>Aesthetic</b>	Universale	<b>Building in type</b>	Undermount
<b>Serie</b>	Quadra	<b>Logo</b>	Embossed
<b>Colour</b>	Stainless steel	<b>Tap hole / precut tap hole</b>	No Taphole
<b>Finishing</b>	Brushed		

	Bowl type	Bowl dimensions, WxDxH (mm)	Bowl depth (mm)	Overflow	Strainer position	Strainer dimension
Bowl	Squared	720 x 400 x 210	210	Yes, traditional	Wall position	3.5"

## Technical Features

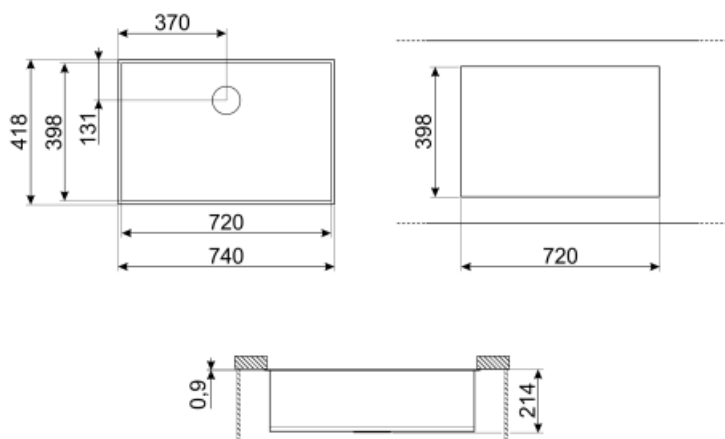


<b>Dimensions of the product (mm)</b>	210x740x418 mm	<b>Tap hole diameter</b>	35 mm
<b>Cutout dimension undermount (mm)</b>	398*720 mm	<b>Gasket type</b>	Sealing paste
<b>Undermount cutout radius</b>	5 mm	<b>No. of clips</b>	8
<b>Base unit size</b>	80 cm	<b>Type of clips</b>	Undermount clip

## Accessories Included

Accessories for  
installation

Strainer, Savespace siphon  
with dishwasher outlet  
connection, Fixing clips



## Not included accessories



### RND1V

Rondò waste kit 1 bowl with standard overflow



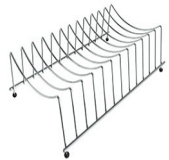
### KITFD100

Waste disposal 1 HP, Motor: 1/2 horsepower, Fits all sinks with 3 1/2" waste outlet



### 3713

Siphon double bowls sinks (dishwasher connection included)



### COLPTX

Draining rack base 300 x 185 x 82 mm



### KITFD050

Waste disposal 0,5 HP, Motor: 1/2 horsepower, Fits all sinks with 3 1/2" waste outlet



### 3712

Siphon single bowl sinks (dishwasher connection included)



### KITFD075

Waste disposal 0,75 HP, Motor: 1/2 horsepower, Fits all sinks with 3 1/2" waste outlet


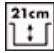



### VSH20Q

Colander for square sinks radius 0 204 x 438 x 118 mm

## Symbols glossary (TT)

---

- |  |   |   |   |
|--|---|---|---|
|  | Cupboard width required for sink installation   |  | Sink depth - depending on the model, the depth can be from 13 to 24,5 |
|  | Under table top installation: The sink is fixed under tabletop, which extends the work surface and the depth of the sink. |   |   |